

Godrej

**RHINO**

Burglar Resisting Safes



You must have taken all possible precautions to ensure your home is the safest place for your family and yourself. But have you given any thought to the valuables you keep at home?

Cash, important documents, jewellery ... every house has its share of valuables. A target for robbers, no doubt.

**How do you store your valuables?**

In all likelihood, in locked cupboards and drawers. While this might seem safe, in fact this is unreliable. Burglars can make use of even the most ordinary tools to break open such storage cabinets and make off with your valuables in no time at all.

**So, what's the solution?**

What you need is vigilance 24 hours a day, 365 days a year.

What you need is Godrej's Rhino. Strong, as the name suggests, Rhino is at the same time, compact and fits in a cupboard. A multi-bend body that is fully welded and is far superior to ordinary riveted joints. Such joints offer greater security against break-in attempts than ordinary safes with riveted joints.

Besides, Rhino offers the following features that make it the preferred choice when it comes to securing your valuables:

- A heavy plate door hinged on strong pivots in a

solid-steel bearing block

- 2-shooting bolts behind a rebate that acts like a continuous vertical bolt
- The lock and vital parts of the bolt work are protected with a drill-resistant armour plate
- Godrej high-precision 6-lever lock or EL
- A Godrej Guardian (dual control) lock can be provided at an extra cost
- A 7-step process imparts corrosion and scratch resistance
- A dignified and lasting look, and an elegant handle that compliments any decor
- A locker with a flap door and lock provided to facilitate the storage of items which need additional security
- Attractive powder-coated finish



Two shooting bolts for additional security



An additional locker with a flap door

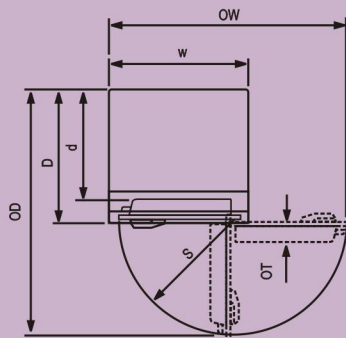


A fully-welded multibend steel body 2.5mm thick



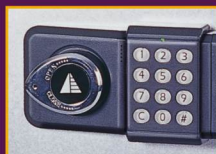
TAKE NO CHANCES

*Give your valuables something precious.  
(Security.)*



### Rhino Electronic

The Rhino Electronic safe comes with an electronic digital lock, with 4-16 digit password facility for flexibility and convenience.



### Specifications

Height :	Outside (H)	420mm / 16 <sup>3</sup> / <sub>32</sub> "
	Inside (h)	410mm / 16 <sup>1</sup> / <sub>8</sub> "
Width :	Outside (W)	460mm / 18 <sup>1</sup> / <sub>8</sub> "
	Inside (w)	455mm / 17 <sup>7</sup> / <sub>8</sub> "
Depth :	Outside (D)	375mm / 14 <sup>5</sup> / <sub>16</sub> "
	Inside (d)	290mm / 11 <sup>7</sup> / <sub>16</sub> "
Volume :		45 lts. / 1.59 cu.ft
Net weight:		40 kg. / 88 lbs
Gross weight:		45 kg. / 99 lbs



Home and Office Safes