

Godrej

CENTIGUARD

Fire Resistant Safes



In this age of computers and electronics, it wouldn't seem far from the truth to say that we have perfected the paperless office. However, that isn't the case.

Most offices still ride on the back of their several documents and papers, without which they wouldn't be able to function properly. And when this paper data is threatened by means beyond one's control — fire, theft, etc. — the office grinds to a halt. Don't let your office come to a standstill. Invest in a Centiguard — the ideal protection for all office documents. The way to your peace of mind.

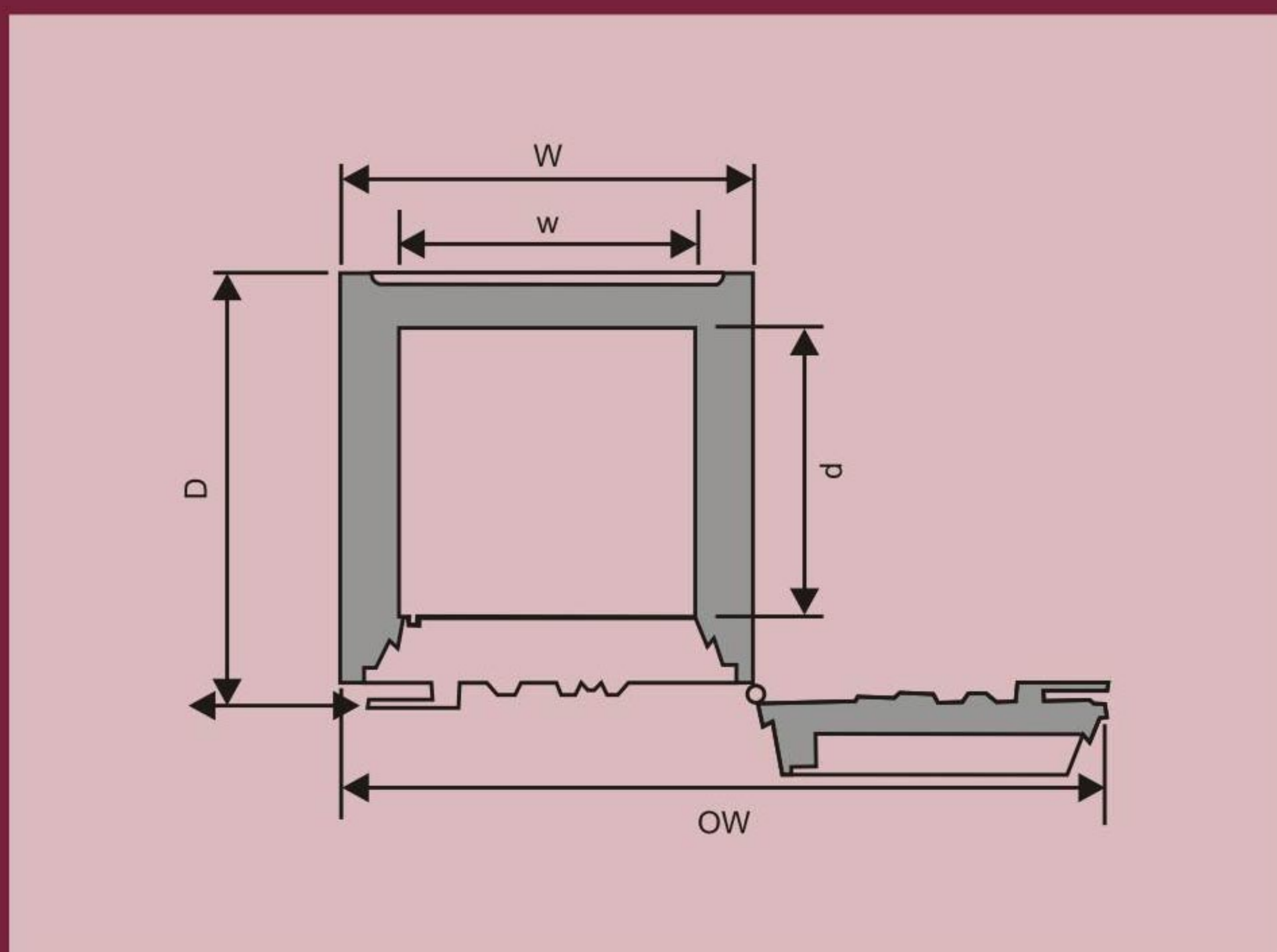
Features

- Designed to withstand fire for up to one hour
- Tested for Fire Endurance, Fire & Impact and Explosion Hazard test (except FR-445) by Underwriters' Laboratory, USA (UL 72-class 350-1 hour)
- Listed at Underwriters' Laboratory Inc., USA and Bureau of Indian Standards, Mumbai
- Tested at C.B.R.I., Roorkee
- Tongue and groove construction to prevent hot gases and smoke from seeping in
- Burglar/Theft protection provided with two locks
- Option for two key locks or one numerical combination lock and one key lock
- One lockable drawer and one adjustable shelf (FR-1060 safe has two adjustable shelves) to maximize interior storage space.
- Castor wheels
- Powder coating
- Safes beyond 1 hour rating can be supplied on special request at an extra cost



Underwriters' Laboratory, USA.

Protection of important documents from Fire.
(Fire Resistant for 60 minutes.)



		Specifications			
		FR-445	FR-560	FR-720	FR-1060
Outside Dimensions (mm)	H	684	764	924	1264
	W	508	590	590	590
	D	500	590	590	590
	OW	953	1109	1109	1109
Outside Dimensions (inches)	H	26 ⁷ / ₈	30	36 ⁵ / ₁₆	49 ¹¹ / ₁₆
	W	20	23 ¹ / ₄	23 ¹ / ₄	23 ¹ / ₄
	D	19 ⁵ / ₈	23 ¹ / ₄	23 ¹ / ₄	23 ¹ / ₄
	OW	37 ³ / ₃₂	43 ⁵ / ₈	43 ⁵ / ₈	43 ⁵ / ₈
Inside Dimensions (mm)	h	446	560	720	1060
	w	345	450	450	450
	d	305	355	355	355
Inside Dimensions (inches)	h	17 ³ / ₃₂	22	28 ⁵ / ₁₆	41 ¹¹ / ₁₆
	w	13 ³ / ₃₂	17 ¹¹ / ₁₆	17 ¹¹ / ₁₆	17 ¹¹ / ₁₆
	d	12	13 ⁷ / ₈	13 ⁷ / ₈	13 ⁷ / ₈
Volume (lts.) (Cu.ft)		47 1.6	90 3.1	115 4.0	170 6.0
	Weight (Kg.) (Lbs.)	125 275	160 352	190 418	250 551

